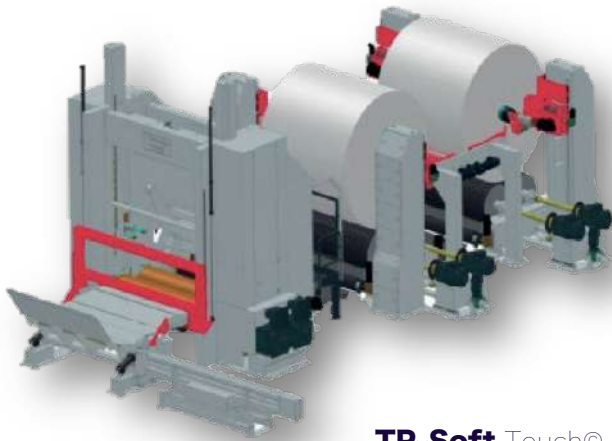
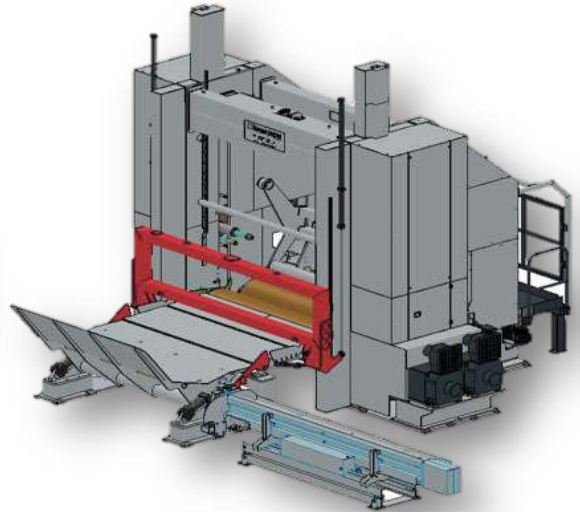


Tissue Slitter winder



TP-Soft Touch©
 Innovative winding
 concept fo supersoft
 tissued
 (patented)



TP-Soft Touch ©

The innovative winding concept for Super Soft Tissue

The high deformability of both mother and finished reels creates problems in Rewinding Super Soft high volume tissue grades, if not properly handled.

Tecno Paper has developed, and patented, rewinding solutions purposely dedicated to such "difficult to wind" products. They avoid the Super Soft reels are permanently deformed and the loss of bulk is huge. The lastproduct which comes in to join the family of the TP-Soft Touch equipment is the new Unwinder, designed and developed by Tecnopaper's technical team.

It is fitted with innovative and dedicated drive and control systems for low density tissue reels, thus allowing to reach, and ensuring, high precision, accuracy and productivity for the unwind process on rewinding lines.

TP-Soft Touch Rewinder

Hydraulic type, Closed Loop

- Bulk control by means of signals from load cells on chucks carriages and rider roll
- TP-Soft Touch – Benefits offered by the innovative winding concept TP-Soft Touch
- Reels (mother and finished) fully supported during all the process by full width driving rolls;
- Nullification of all the inertia forces thanks to addition of center drive at unwinder;
- High precision NIP control thanks to special hydraulic or electromechanical relieving systems, both working in "Closed Loop" mode with constant feedback from the on board sensors;
- High operation efficiency thanks to spools and shaft automatic removal and handling;
- Minimized bulk loss;
- Integration with TP-Win 4.0 e TP-Service. Operartor friendly control system and HMI;
- Easy to switch from "Closed Loop" automatic NIP control to "Open Loop" control by curves set in the control system and adjustable by the operator